

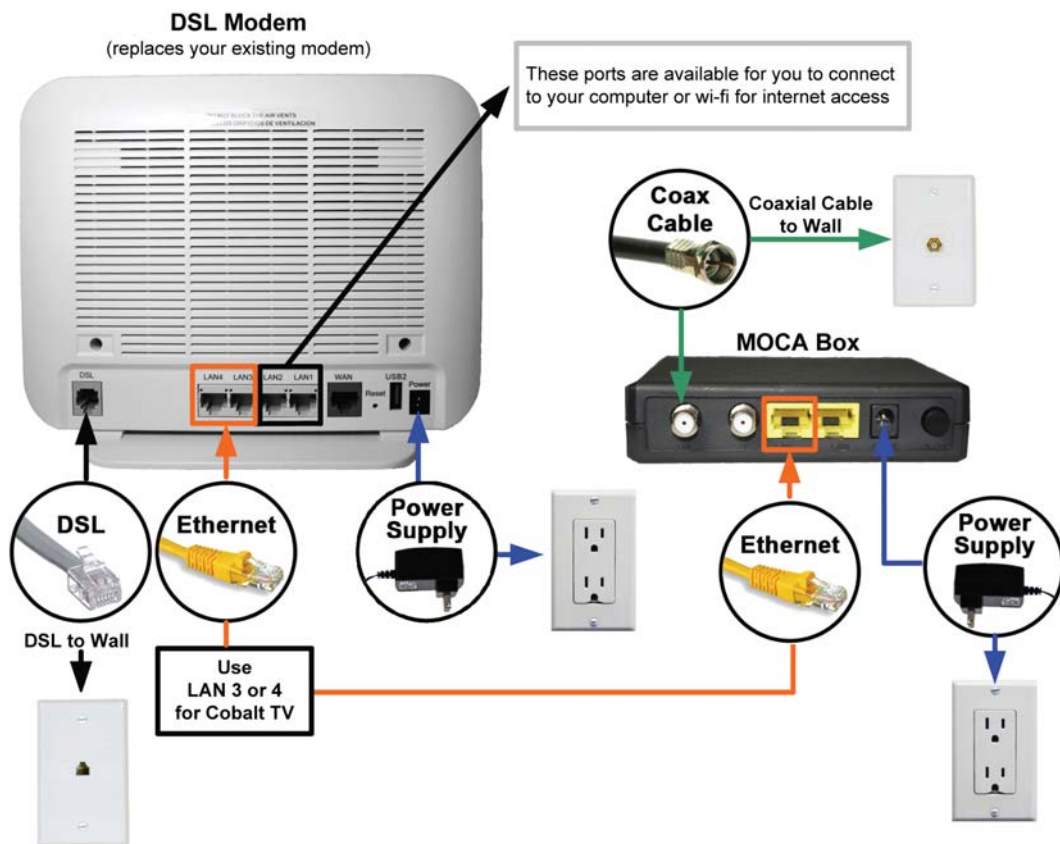
# Let's Get Started!

## Setting Up Cobalt TV using Coax Cable

### Connect the Modem

The contents of this bag will replace your existing DSL Modem.

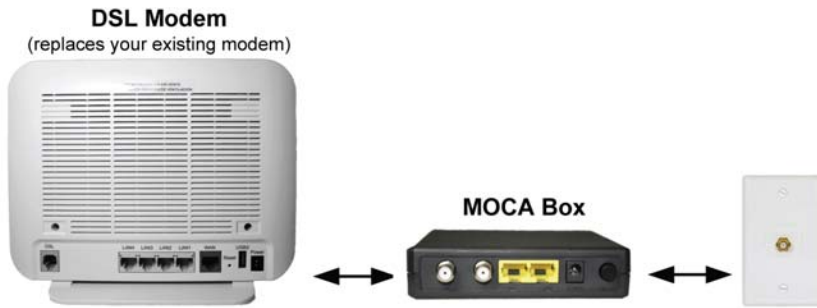
1. Power up the Modem by connecting it to a wall outlet using the included power adapter.
2. Connect the telephone cord from the DSL/telephone jack in the wall to the DSL port in the Modem.
3. Power up the MOCA box by connecting it to a wall outlet using the included power adapter.
4. Connect the Ethernet Cord from LAN port 3 or 4 to the Ethernet port in the MOCA box.
5. Connect the Coax Cable from the coax port in the MOCA box to the coax port in the wall.
6. You have completed the set up for this room! Now take the appropriate white room bag to the first room you would like to set up.



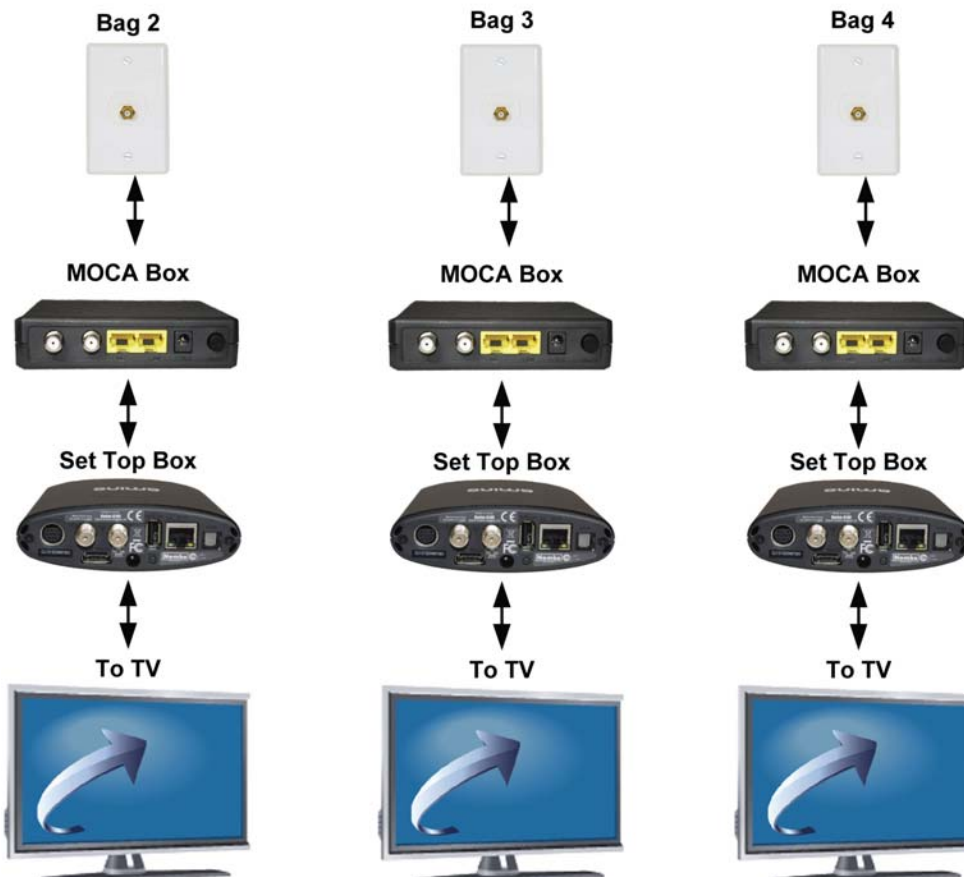
# Install Overview of Whole Home

A total overview of your home set up once entirely installed.

In this bag. (Bag 1)



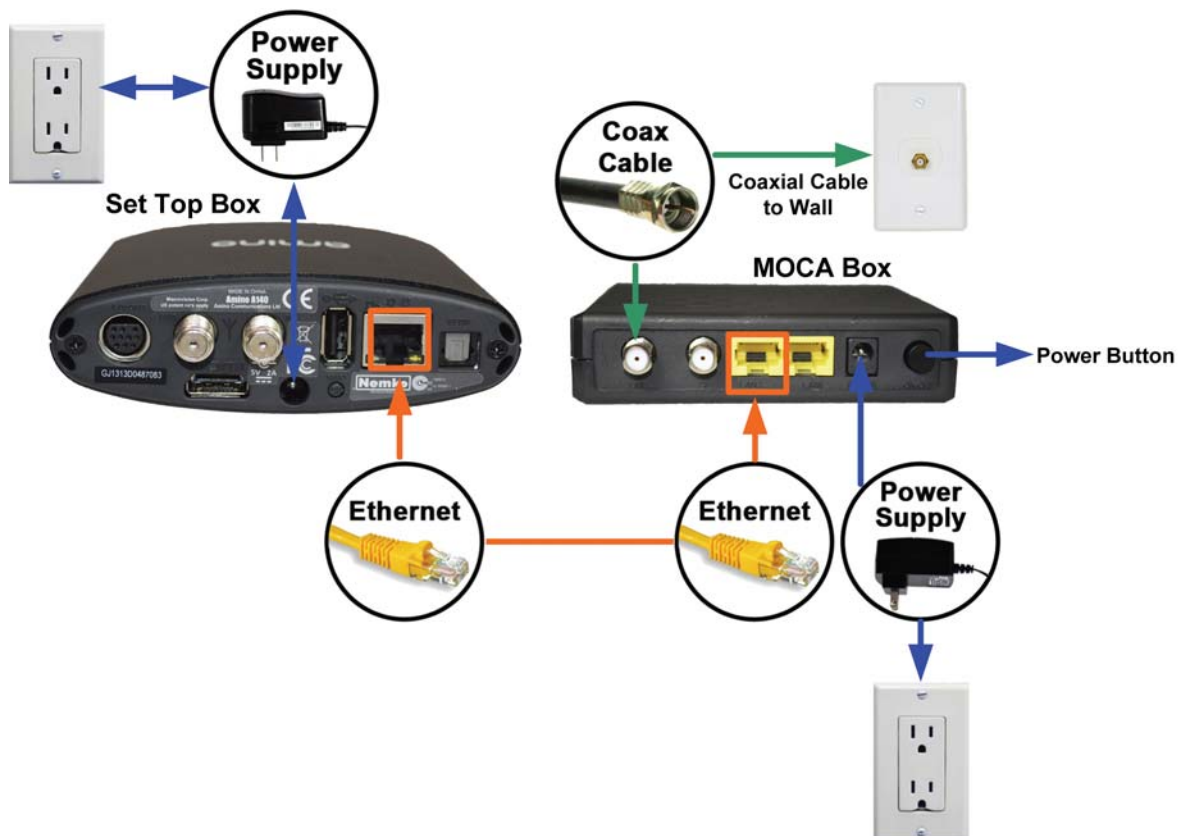
In additional bags by room.



# Room Bags: MOCA box with Coax Cable

## At your TV location:

1. Disconnect the Coax Cable running from the TV to the Coax outlet in the wall.
2. Power up both the Amino STB and the MOCA box by connecting them to wall outlets using the power adapters included with each box.
3. Using an Ethernet cord, insert one end of the Ethernet cord into the LAN 2 Port of the MOCA box and the other end into the Ethernet Port in the Amino STB.
4. Connect a Coax Cable Cord from the MOCA box into the Coaxial Cable Port in the wall.



# Amino Set Top Box to TV

1. What does your TV input look like? You only need to choose one of the following connections for each TV.



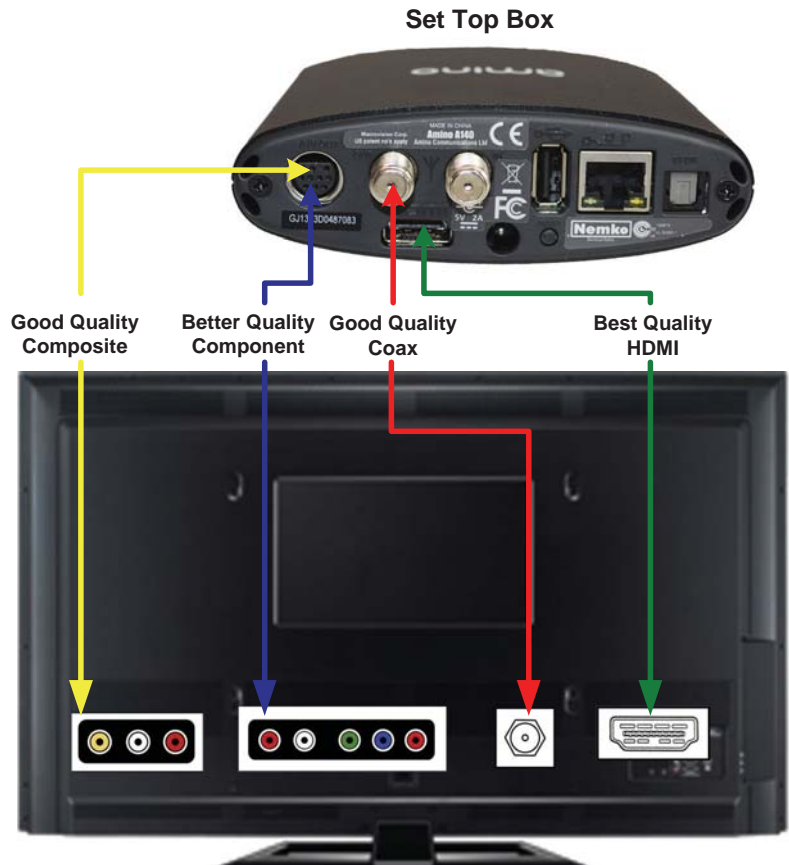
OR



OR



OR



2. Connect your set top box to your TV using the appropriate cord (included in the bag).

3. Turn on the TV. The picture will be available within 4-7 minutes. Turn to channel 1 for a guide on how to use the remote features.

**Connecting Additional Televisions - repeat steps above for each additional television.**